



Vehicle Catalogue and Descriptions



Why Choose Day's Rental?

- A family owned and led company for 63 years
- 5 Star Trustpilot Vehicle Rental Provider
- Nationwide coverage and support
- The most diverse vehicle provider in the vehicle rental industry
- All vehicles available from stock
- Brand new vehicles always supplied for medium to long term rental contracts
- Vehicles can be supplied in your company/organisation livery
- Vehicles provided via a 'one stop shop' service to the customers specification
- Competitive pricing
- First class service



Cars – Small, Medium, Large, Estates





Ford Custom L1 or L2 H1 (Low Roof)

Wheelbase: L1 = SWB

L2 = LWB

Roof Height H1 = Low Roof

H2 = High Roof

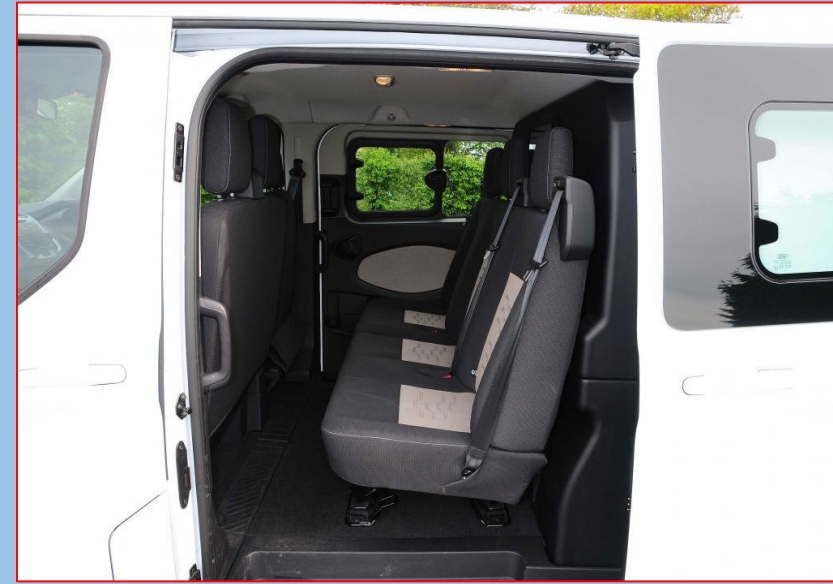
Ford Custom

Ford Custom L1 or L2 H2 (High Roof)



Ford Custom

(Double Cab In Van) L1 or L2 H1 'Medium Crew Van'

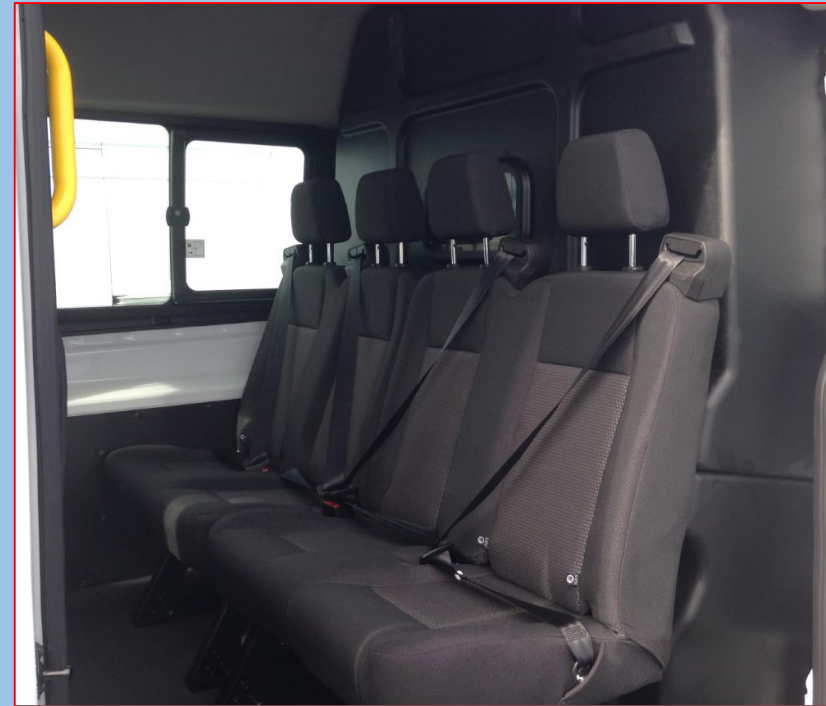


Transit L2H2 'AWD'

Vehicle with seating for up to 6 Passengers
and 1 driver *AWD – All Wheel Drive



Ply-Lining, Plastic floor and bulkhead allows the safe storage of items, keeping separate from the cab



Ford Transit Van

Wheelbase L2 = MWB (Medium Wheelbase)

L3 = LWB (Long Wheelbase)

L4 = XLWB (Jumbo)



H2 - Medium Roof



H3 - High Roof



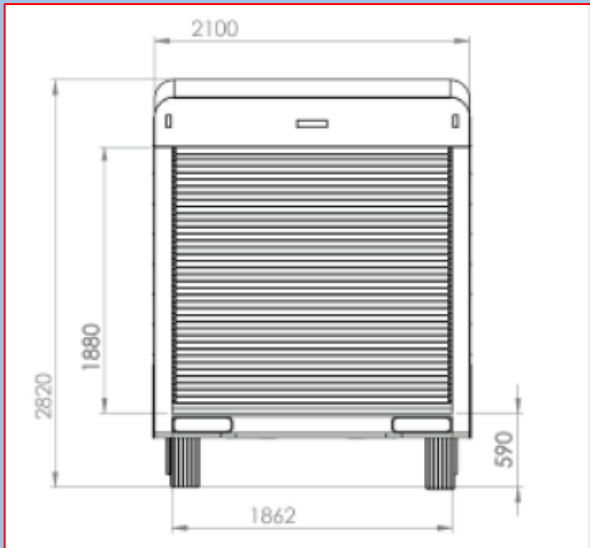
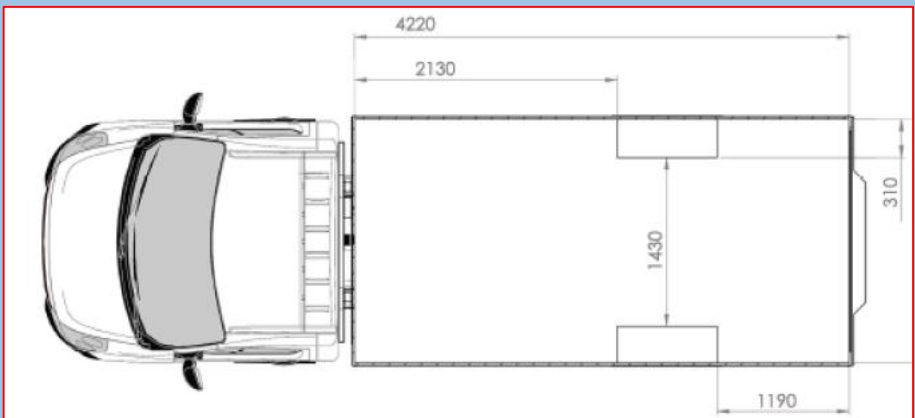
3.5T GVW Luton Box with Tail Lift and Curtain Slider





Peugeot 'Low Loader' Van

Low load entry height with optional 'Aluminium Ramp'



7.5T GVW Trucks



Cargo Box c/w Tail Lift



Curtain Sider



Tipper



Small Vans



Peugeot Partner



Peugeot Bipper



Transit Connect L1 & L2



Transit Courier



Fiat Doblo

3.5T GVW Tippers

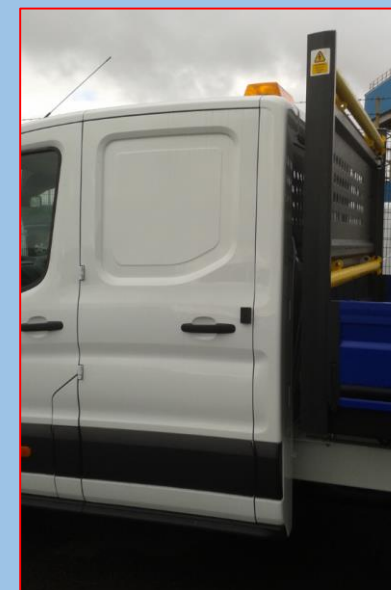
Single Cab Tipper



Single Cab & POD Tipper



Utility Cab Tipper
(Separated internal compartment with Bulkhead)



Mini-Buses with seating for 8, 9, 12, 15 and 17 persons

*12 - 17 Seat Mini-Bus (D1 driving licence restricted) required



9 Seat



12 Seat



17 Seat

Welfare Vehicle – Small



Peugeot Horizon – Driver, 2 Passengers/Carers and
1 x Wheelchair (Electric winch and fold out ramp)

Welfare Vehicle – Medium



Peugeot Spirit – Driver, 5 Passenger/Carers and space for 2 Wheelchair users



Welfare Vehicle – Large



Iveco – Driver, 15 Seats (all removable) and potentially 2-5 wheel chair users (standard provision for 2 Wheelchair users)

4 x 4 Pick-up – Single/Double Cab (Optional Truckman Top)



Welfare Site Support Vehicles



EV/Hybrid Cars/Vans



Renault Kangoo ZE



Hyundai Ioniq

Van Mounted Lighting Towers (Various Lift Heights from 13-17m)



Iveco Versalift combination

Plant and Go / Traffic Management Vehicles (Sub 3.5t GWV)



Motorhomes

2/4/6 Berth Options



- Corporate or for leisure hire
- UK or European cover
- Fleet replaced every season



Miscellaneous Rental



Ride on Mower



3t Dumper Truck



Compact Sweepers



Utility Vehicles



Mini Excavator

Customer Requirements



Our turn key services include:

- Livery
- Lighting
- On board Cameras/CCTV
- Vehicle tracking
- Vehicle racking
- Ladder racking
- and much more....

We provide

- A continual modernised fleet
- Flexible rental terms
- National support from our extensive branch network
- Outstanding customer satisfaction
- Great value for money



Always here to help if
you need us

Mike McCarry – Director

Andy Elkin – General Manager

Clive Williams – Operations Manager

Neil Williams – Group Rental Manager

Andy Cooke – Business Development Manager

Call us on 01792 222133

For general hire enquiries see our website

www.daysrental.co.uk

To speak to an advisor call 0800 3897626

